

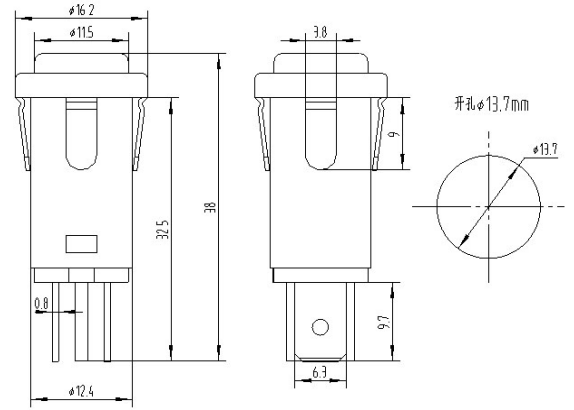
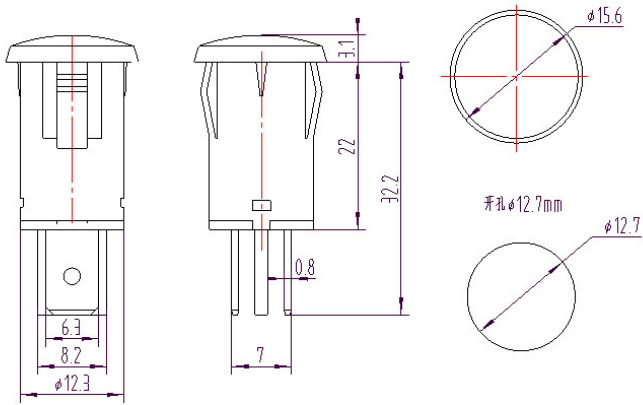
Nomenclature 命名

Model LH580 or ZQ580 followed by 110V or 230V ,may be followed by H or C or L, may be followed by Installation dimensions, may be followed by colors, may be followed E or T or B, by may be followed by Metal cap.

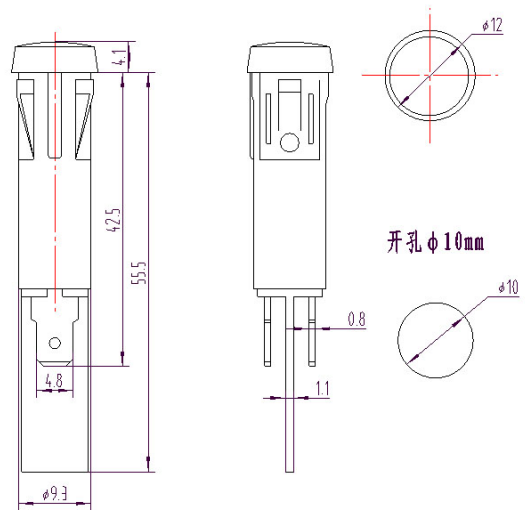
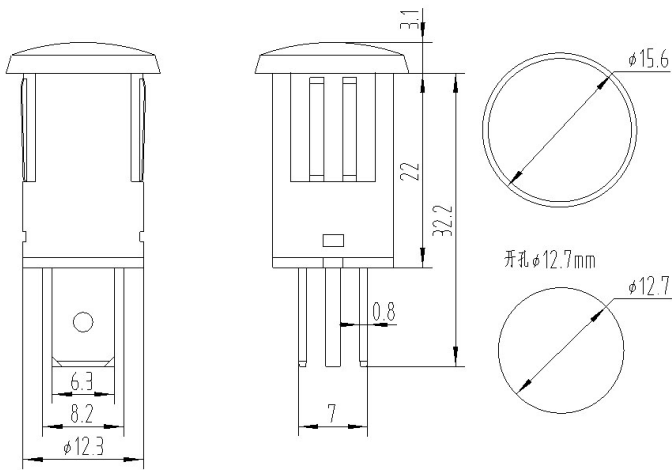
差异: LH580 和 ZQ580 结构完全一样,仅型号差异.

LH580	-V	C	D1	R	E	M	
I	II	III	IV	V	VI	VII	
I	Product code 产品代码 : LH580 or ZQ580						
II	Voltage 电压 : 110VAC (100VAC-130VAC) 230VAC(200VAC-250VAC)						
III	Terminal 端子: H: 4.8*0.8 C: 6.3*0.8 L: 线 (wire leads) UL3135 UL3122 24#						
IV	Installation dimensions 安装尺寸: D1: Ø10mm D2: Ø12.5mm D3: Ø12.7mm D4: Ø13.7mm						
V	colors 颜色: R : Red A: Amber G: Green B: Blue C: Clear W: White Y: Yellow						
VI	Function 系列号: (附图) E (耳朵) T (加强筋) B (蝴蝶结) N (螺母)						
VII	Metal cap:金属帽						

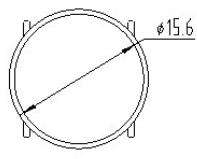
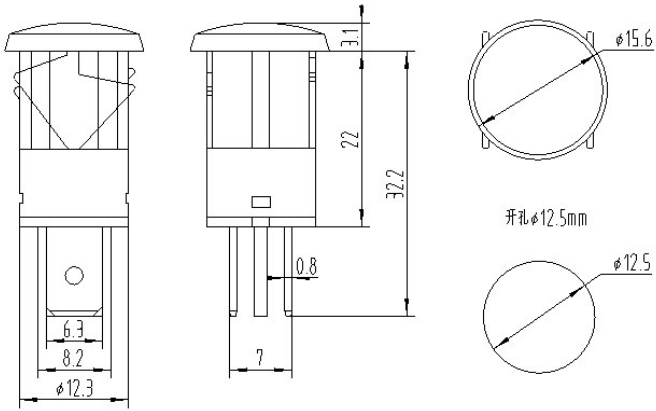
E (耳朵)



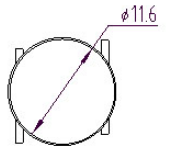
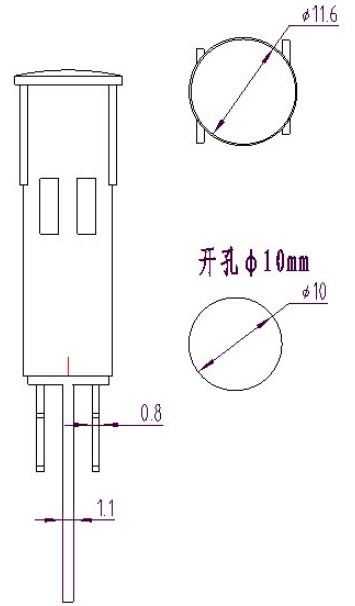
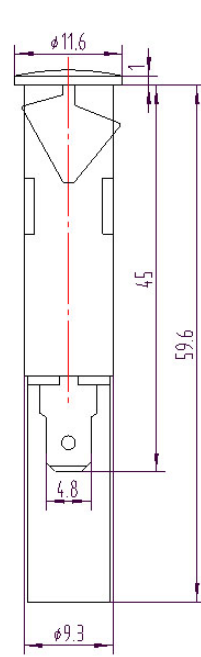
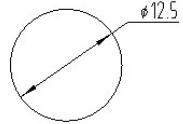
T (加强筋)



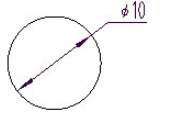
B (蝴蝶结)



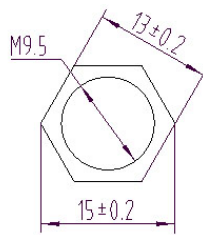
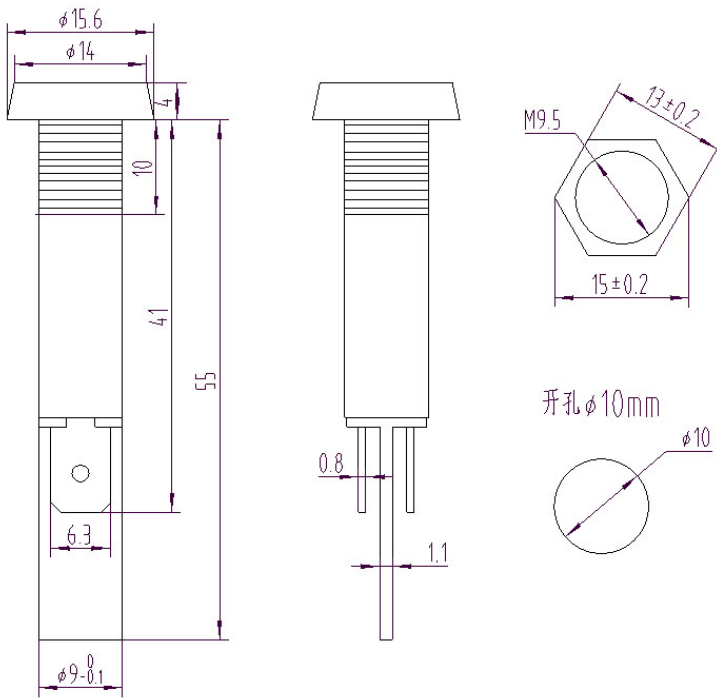
开孔 $\phi 12.5\text{mm}$



开孔 $\phi 10\text{mm}$



N (螺母)



开孔 $\phi 10\text{mm}$

